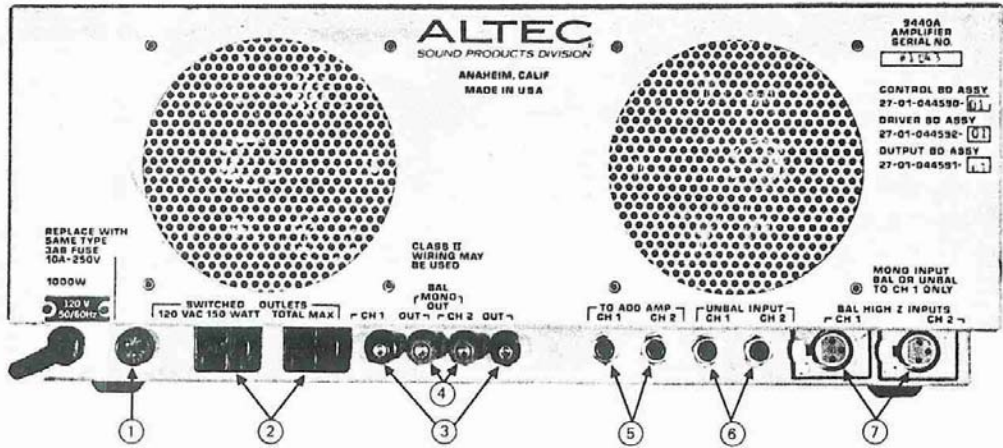
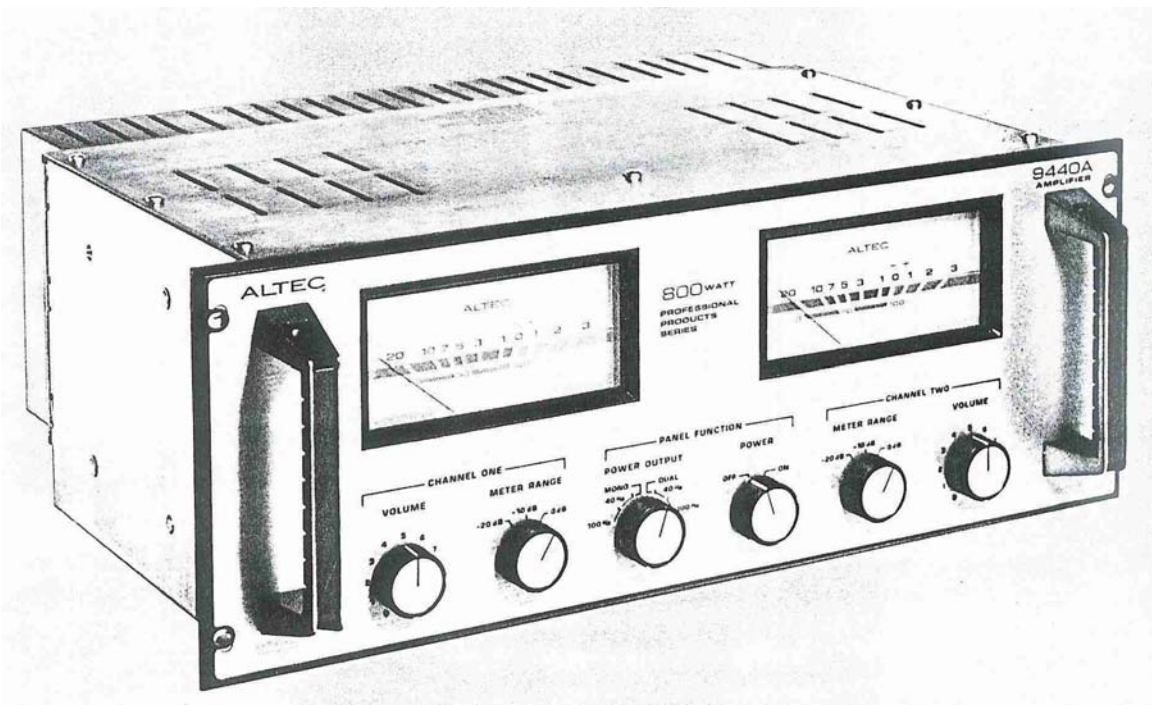
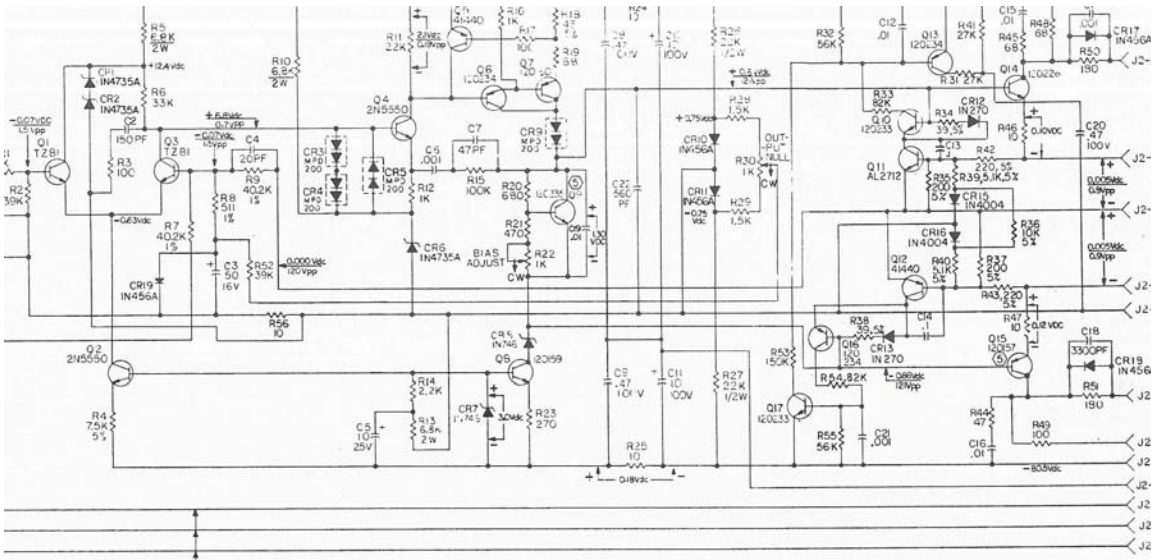
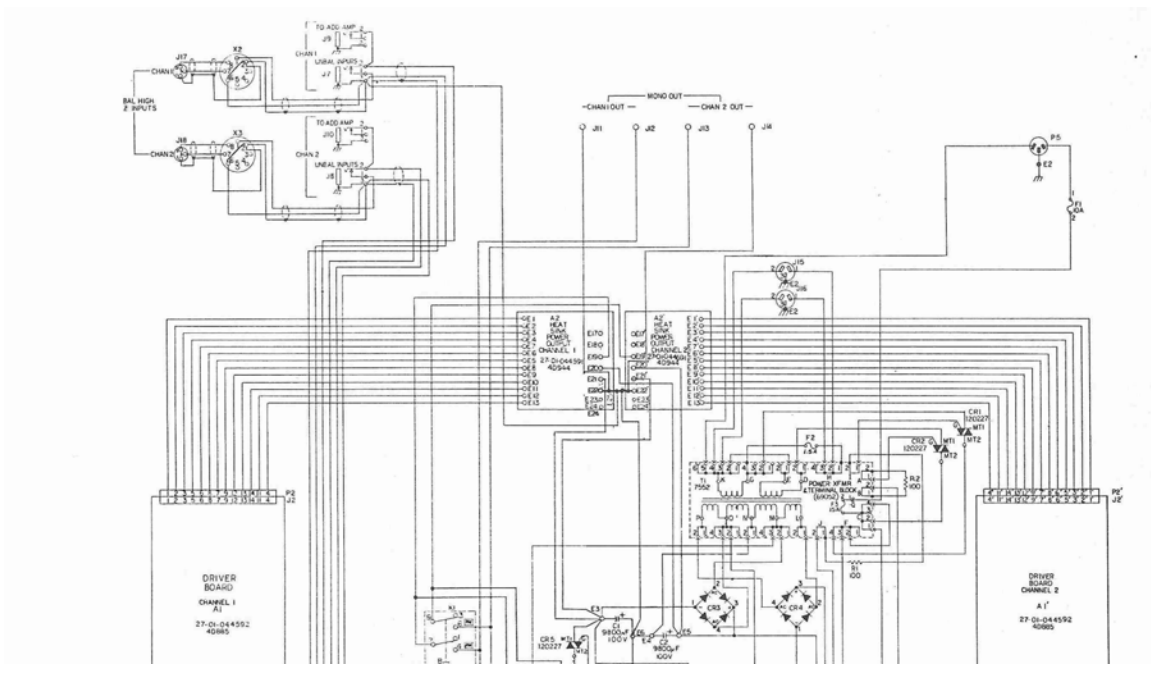


9440A Power Amplifier



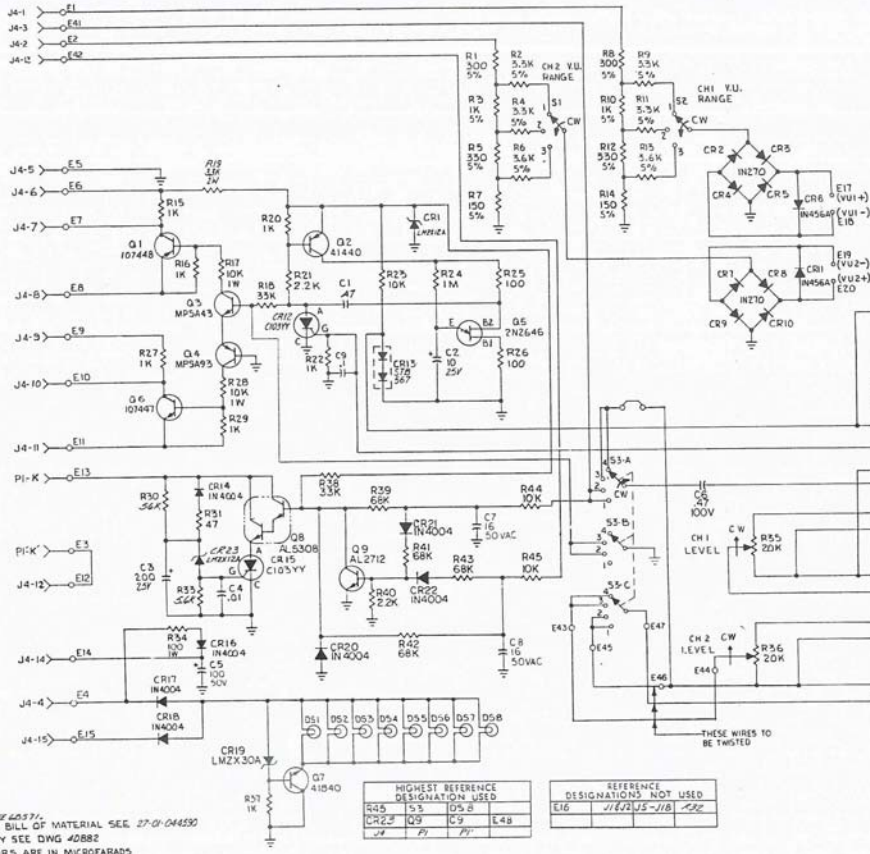


OVERTEMP CONTROL ROUTING BUSES

HIGHEST REFERENCE DESIGNATION USED	R56	C22	Q17	CR19
REFERENCE DESIGNATIONS NOT USED	CR14			

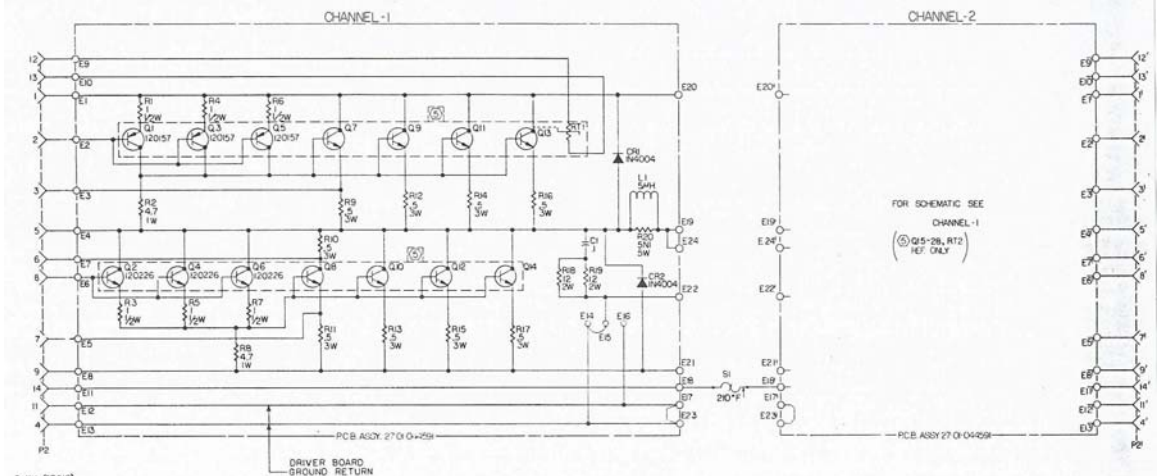
6. ALL VOLTAGES AT 120VAC LINE, DC VOLTAGES AT QUIESCENT, REFERENCED TO J2-11 UNLESS OTHERWISE SHOWN.
 AC VOLTAGES ARE AT 220W INTO 8Ω AT 10KHz, REFERENCED TO J2-11 UNLESS OTHERWISE SHOWN. BIAS SET TO 75MADC INTO E20 ON OUTPUT BOARD, WITH HEATSINK COOL.

① Q9, Q15 HAVE THERMAL CONTACT BETWEEN THEM
 4. FOR ASSY DWG SEE 40866
 3. FOR SEPARATE BILL OF MATERIAL SEE 27-01-044592
 2. ALL CAPACITORS ARE IN MICROFARADS
 1. ALL RESISTORS ARE IN OHMS, 1/4W, 10%
 NOTES UNLESS OTHERWISE SPECIFIED



5. FOR WIRE LIST SEE 405374.
 4. FOR SEPARATE BILL OF MATERIAL SEE 27-01-044590
 3. FOR ASSEMBLY SEE DWG 40882
 2. ALL CAPACITORS ARE IN MICROFARADS
 1. ALL RESISTORS ARE IN OHMS : 10%, 1/4 W
 NOTES: UNLESS OTHERWISE SPECIFIED

HIGHEST REFERENCE DESIGNATION USED				REFERENCE DESIGNATIONS NOT USED	
R45	D53	D52		E16	J1, J2, J3, J18, J22
CR22	D9	C9	E48		
J4	P1	P1			



8. WL 68540
 7. ASSY DWG 60530
 6. SEE R/W IO-05-01-252 55A 204
 5. ALL TRANSISTORS & RTI RTV ARE HEAT OF HEAT DRK. ASSY IN 05-044608 AND ARE FOR REFERENCE ONLY ON THIS SCHEMATIC.
 4. FOR PCB ASSY SEE 40884
 3. FOR PCB ASSY: BILL OF MATERIAL SEE 27-01-044591
 2. ALL CAPACITORS ARE IN MICROFARADS.
 1. ALL RESISTORS ARE IN OHMS
 NOTES: UNLESS OTHERWISE SPECIFIED