

Installation Instructions for the ALTEC LANSING® AM9872 Personality Module

The AM9872 module is for use with the 9872-8F/M400 loudspeaker systems. The following highlights the procedure for installing the personality module(s) into the 1902A AcoustaMATE™ Loudspeaker Controller:

NOTE: *Disconnect the 1902A from its power source before removing the cover. Extremely hazardous voltages and currents may be encountered within the chassis when the power cable is connected.*

1. Unpack the personality module and verify the mounting screw is enclosed.
2. Locate and remove the seven screws holding the top cover of the 1902A in place (5 screws on chassis, 2 screws on AC plug).
3. Locate the 9-pin connectors on the main printed circuit board. The two connectors are located side-by-side towards the right wall of the unit (with front panel towards you).
4. With the circuit board of the personality module extending towards the front of the cabinet, carefully line up the male 9-pin connector with the female receptacle. Gently insert the connector and verify it is seated properly.
5. Secure the module with the supplied screw. **Do not over-tighten.** The circuit board could be damaged by excessive pressure.
6. Replace and secure the top cover of the 1902A with the seven screws previously removed.

The ALTEC LANSING personality modules are now fully installed. Refer to the 1902A **Operating Instructions** for further information regarding the operation of the modules.

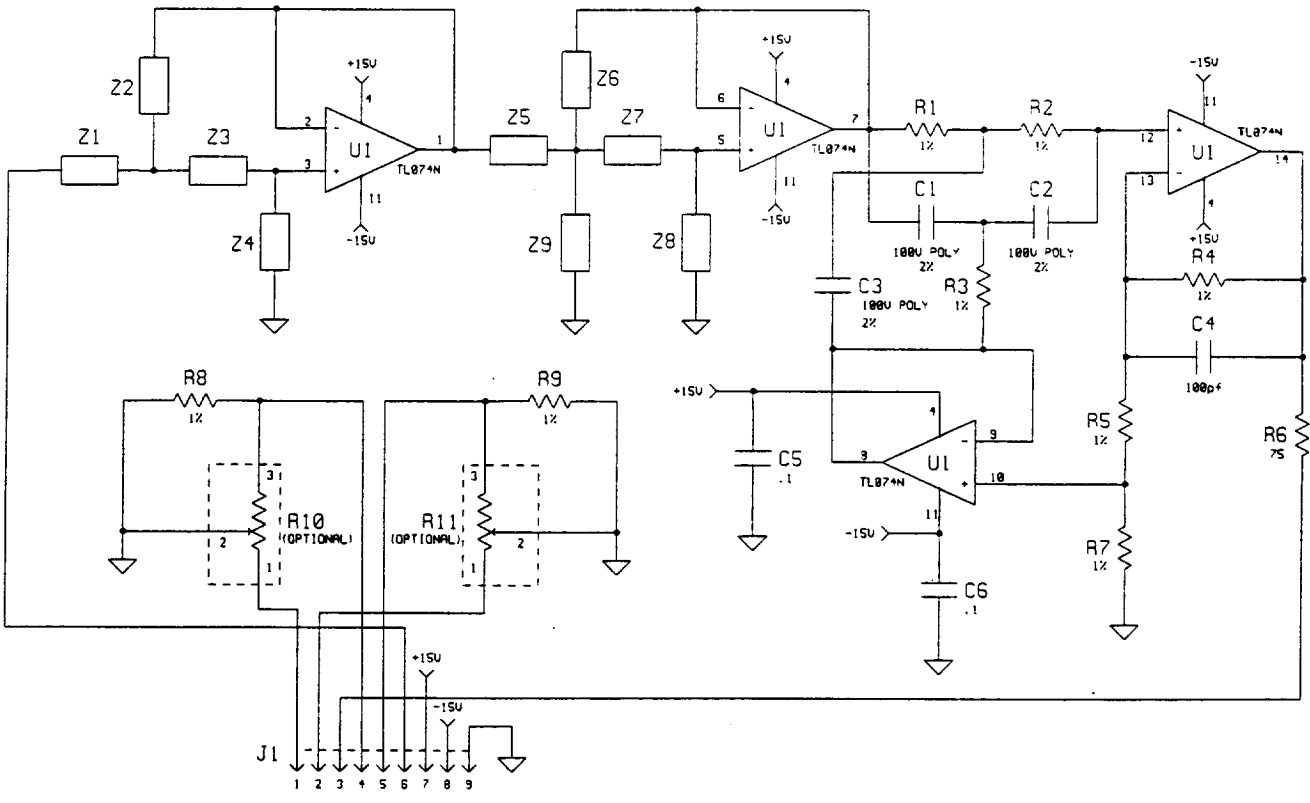


a Mark IV company

P.O. Box 26105 • Oklahoma City, OK • 73126-0105 U.S.A. • Tel: (405) 324-5311 • FAX: (405) 324-8981
©1994 by Altec Lansing Corporation. All rights reserved.

Component Listing for the AM9872

Reference Number	Ordering Number	Name and Description
R1, R2	47-03-027304	Resistor, 30.1 kΩ, 1%, ¼ w
R3	47-03-124657	Resistor, 22.6 kΩ, 1%, ¼ w
R4	47-03-123011	Resistor, 200 kΩ, 1%, ¼ w
R5	47-03-124649	Resistor, 2.26 kΩ, 1%, ¼ w
R6	47-01-102051	Resistor, 75 Ω, 5%, ¼ w
R7	47-03-124647	Resistor, 2.8 kΩ, 1%, ¼ w
R8	47-03-124957	Resistor, 2.21 kΩ, 1%, ¼ w
R9	47-03-028173	Resistor, 100 kΩ, 1%, ¼ w
Z2, Z7	47-03-109128	Resistor, 33.2 kΩ, 1%, ¼ w
Z4	47-03-124625	Resistor, 16.9 kΩ, 1%, ¼ w
Z6	No Component	
Z9	47-03-028238	Resistor, 15 kΩ, 1%, ¼ w
C1, C2	15-06-037651	Capacitor, .047 μf, 2%, 100V, poly
C3, Z1, Z3, Z5, Z8	15-06-037653	Capacitor, .1 μf, 2%, 100V, poly
C4	15-06-037468	Capacitor, 100 pf, 630V, poly
C5, C6	15-02-124437	Capacitor, .1 μf, 50V, ceramic
U1	17-01-124461	Integrated Circuit, TL074CN



Schematic for the AM9872 Personality Module