

DESCRIPTION

The Altec Lansing Model 15567A Autoformer is designed to provide maximum flexibility in matching a wide variety of loudspeaker loads to power amplifier outputs.

SPECIFICATIONS

Frequency Response: 35 Hz to 15 kHz, +/- 1 dB (Ref. 1 kHz)
Power Capacity: 300 Watts
Total Harmonic Distortion: <1% from 35 Hz to 15 kHz (Ref. 1 kHz)

ELECTRICAL CONNECTIONS

The autoformer consists of a single winding with multiple taps. It is intended to provide impedance and voltage conversions without primary to secondary isolation.

Any combination of taps may be used as the primary (source) and secondary (load) connections.

Figure 1 shows the layout of taps and their voltage and impedance ratios relative to the common terminal.

The transformer wires are color coded and are identified on the body of the autoformer with the impedances that would be most commonly connected. The 16, 8, and 4 ohm taps are the most common loudspeaker impedances. The 5.33 ohm tap is for three 16 ohm speakers connected in parallel and the 2.67 ohm tap is for three 8 ohm loudspeakers in parallel.

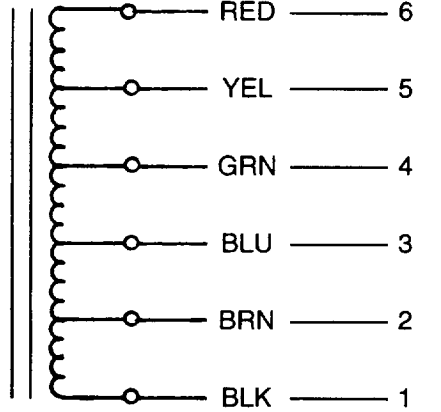
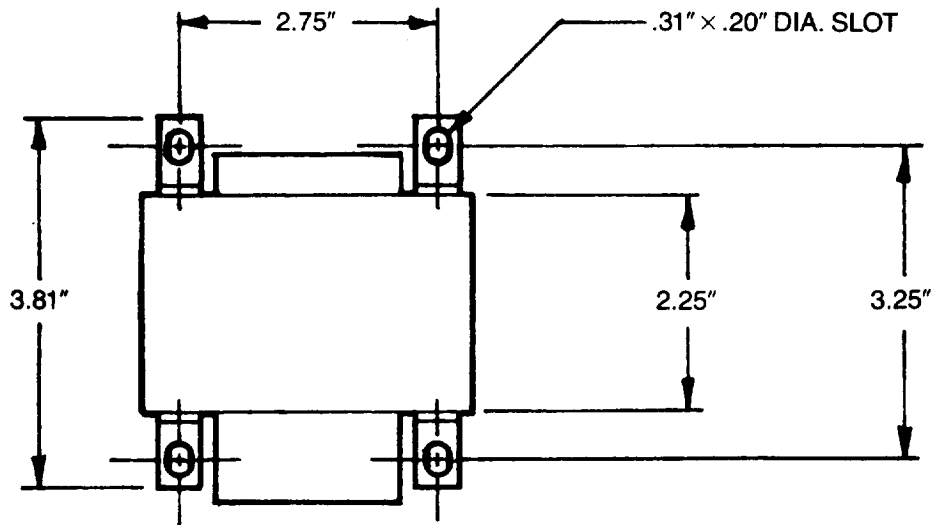
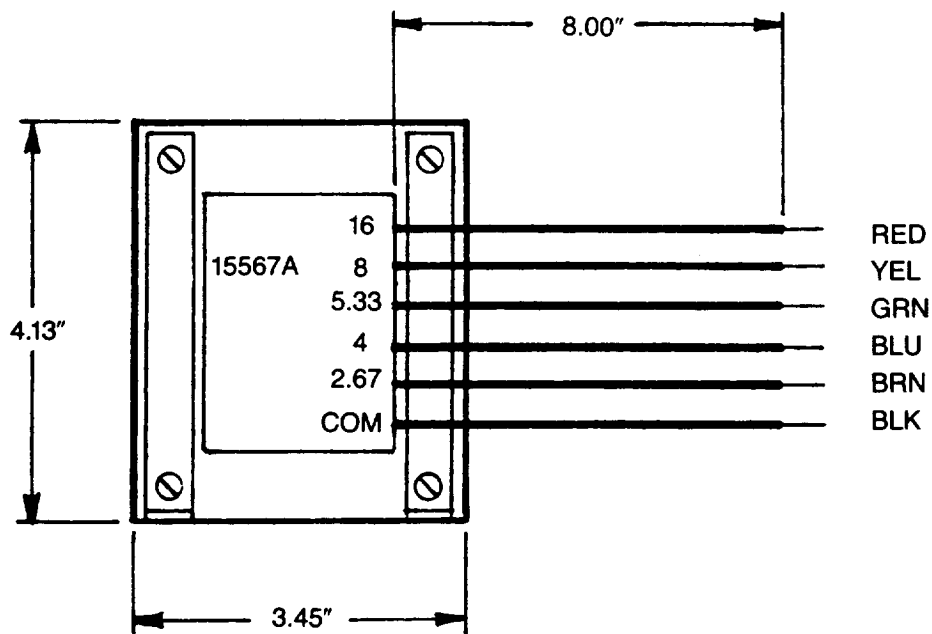
TAP	#	Z	VOLTAGE RATIO	IMPEDANCE RATIO
				
RED	6	16	1.0	1.0
YEL	5	8	0.707	0.5
GRN	4	5.33	0.58	0.33
BLU	3	4	0.5	0.25
BRN	2	2.67	0.41	0.167
BLK	1	COMMON		

Figure 1



TOP VIEW



SIDE VIEW

FIGURE 2



P.O. BOX 26105, OKLAHOMA CITY, OK 73126-0105, U.S.A.

© 1988 ALTEC LANSING CORPORATION