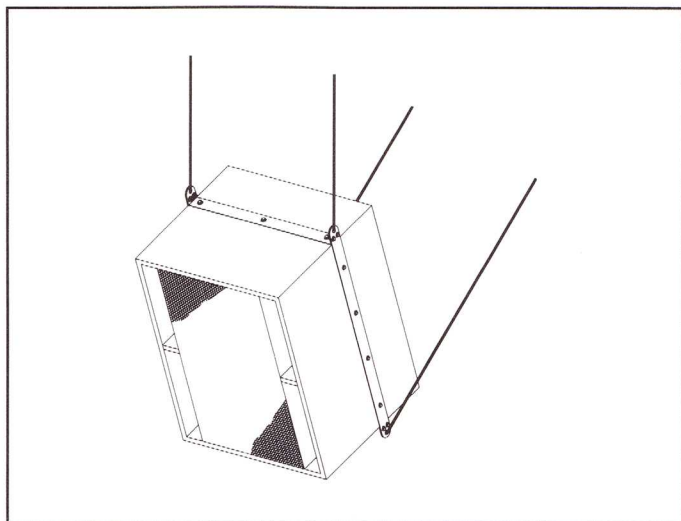




# 816VI-SK Suspension Kit



## PRIMARY SPECIFICATIONS

- Material:** 1018 cold rolled steel  
Grade 5 machine screws
- Enclosure Supported:** 816VI, 816VIX
- Tool Requirements:** 5/16 in. socket wrench
- Strength Rating:** In Tension = 230 lbs
- Maximum Enclosures Supported:** 2

## KEY FEATURES

- ★ **Certified**
- ★ **Easy Installation**
- ★ **Safe**

## CAUTION

For safe suspension of enclosures it is very important that these instructions are followed and all fasteners are correctly attached.

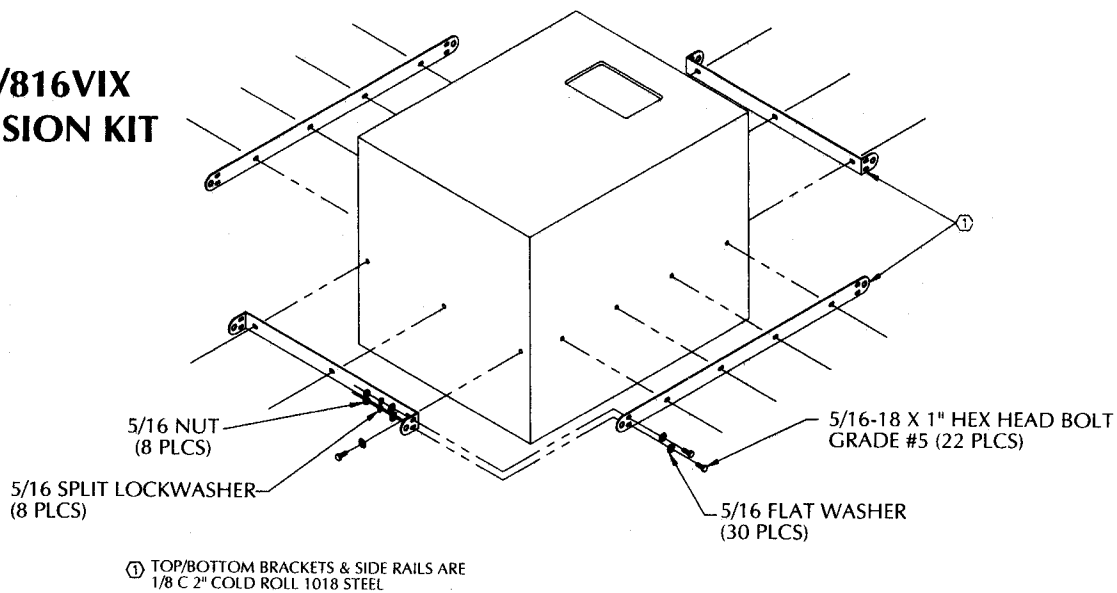
## DESCRIPTION

The Altec Lansing **816VI-SK** suspension kit is a mounting system specifically designed for the Altec Lansing **816VI** and **816VIX** loudspeakers in order to easily suspend them as single units or in multiples. The **816VI-SK** has been designed to quickly attach to these systems and provide the proper support for integration into central cluster frameworks or for hanging by cables or chains. The **816VI-SK** consists of four major steel components fastened together with bolts and attached to the loudspeaker enclosure with bolts and tee nut threaded inserts which are located in the enclosures. When attached, the suspension kit offers a convenient point for the connection of the remaining hardware selected by the contractor for hanging of

the loudspeaker system. The design of the **816VI-SK** gives it a load bearing capacity which will allow up to two **816VI** type enclosures equipped with the suspension kit to be hung in a vertical array configuration. The attachment position of the kit on the enclosure has been chosen with respect to the center of gravity of the system such that when a single unit is suspended, the bottom of the enclosure will move forward relative to the top. In order to provide a downward projection angle, a rearward pulling force will be required at the bottom of the enclosure.

The **816VI-SK** is offered as a means of simplifying and lowering the cost of a permanently installed sound systems.

## 816VI/816VIX SUSPENSION KIT



### WARNING

Altec Lansing does not take any responsibility for the misuse of this product and is not liable for any incidental or consequential damages including, without limitation, injury to persons or property or loss of use. Some states do

not allow the exclusion or limitation of incidental or consequential damages so this limitation may not be applicable. If this product is used outside the United States of America local and/ or national regulations may apply.

### MOUNTING INFORMATION

The suspension kit is supplied with all of the hardware necessary to properly attach it to **816VI** enclosures. The instructions in the kit describe the procedure for installing it with simple hand tools. All fasteners provided must be

used in order to insure a reliable package for suspension mounting. Convenient points are provided at the top and bottom of the kit for attachment of cables, chains, or other hanging system components provided by the contractor.

### ARCHITECT'S AND ENGINEER'S SPECIFICATIONS

The suspension kit shall be constructed of four major steel components, a top and bottom bracket and two side brackets. The material for the brackets shall be 1/8-inch (0.32 cm) thick by 2-inch (5.1 cm) wide, fabricated from 1018 cold rolled steel. The brackets shall be fastened together with eight 5/16-inch (0.8 cm) diameter grade 5 machine screws to form a rigid frame completely enclosing the perimeter of the enclosure to which it is attached. The brackets shall be fastened to the enclosure using a

total of fourteen 5/16-inch (0.8 cm) diameter grade 5 machine screws threaded into tee nuts pre-installed into the enclosure walls. Holes located on each side of the kit at top and bottom shall be provided to accept a 5/8-inch (1.6 cm) diameter fastener for connection to the remainder of the hanging system. The kit shall weigh 9.0 lb (4.1 kg). The suspension kit shall be the Altec Lansing **816VI-SK**.



a MARK IV company

P.O. BOX 26105 • OKLAHOMA CITY, OK 73126-0105 • U.S.A. • (405) 324-5311 or FAX: (405) 324-8981  
© 1992 ALTEC LANSING CORPORATION