

404-8A and 404-8T LOUDSPEAKERS ...PRELIMINARY



DESCRIPTION

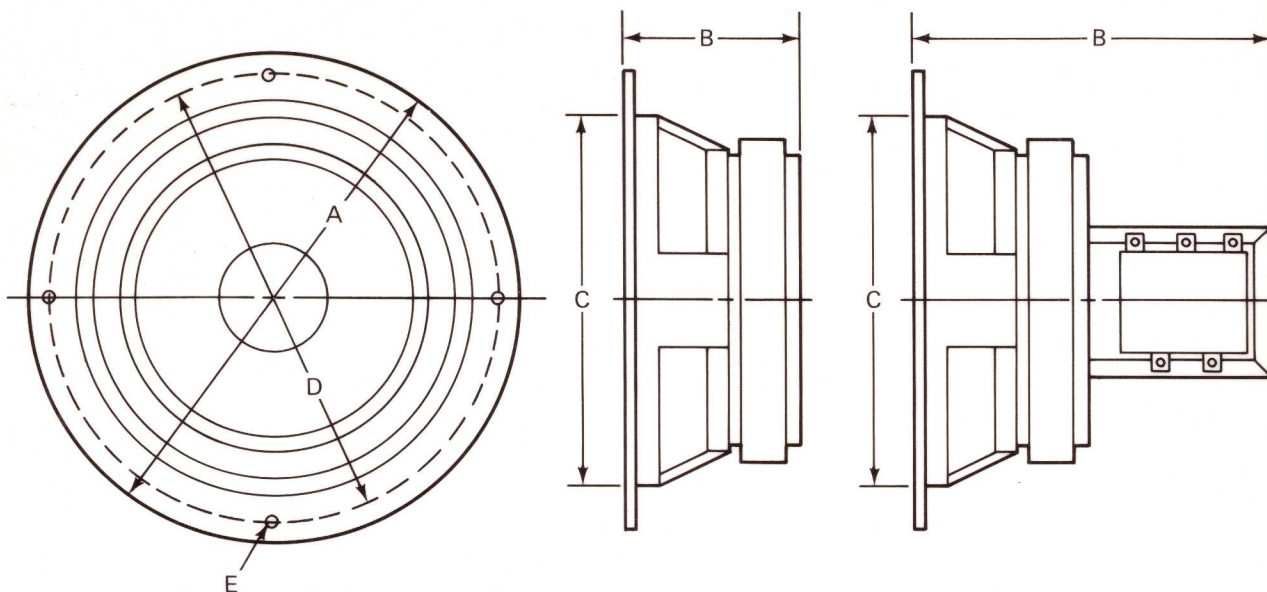
The Altec Lansing Model 404-8A and 404-8T loudspeakers are compact 4" speakers that provide the utmost in performance obtainable from speakers of this size. Clear, intelligible speech and good music reproduction are ensured because of the extended 60-15,000 Hz range.

Loudspeaker impedance rating is 8 ohms. The Model 404-8T includes a 70-volt line transformer for applications in distributed sound systems.

These quality loudspeakers are designed for continuous, trouble-free service. The frame and housing of the magnetic structures are fabricated of heavy-gauge steel. The small size of the speakers allows either front or rear mounting in walls, partitions, ceilings, and into volumes as low as 0.1 cubic feet.

SPECIFICATIONS

Power Rating:	15 watts continuous pink noise (above 50 Hz)
Frequency Response:	60-15,000 Hz
Pressure Sensitivity:	91 dB SPL measured at 4' on axis with 1 watt input of pink noise, band-limited from 500-3000 Hz (Ref.: 0 dB = 0.0002 dyne/cm ²)
Impedance:	8 ohms
Transformer:	Model 404-8T only
70-Volt Taps:	4, 2, 1, 0.5 watts
Insertion Loss:	1.1 dB
Frequency Response:	±1 dB, 100-10,000 Hz
Terminals:	Color coded leads
Nominal Free-Air Cone Resonance:	80 Hz
Distribution Pattern:	90°
Voice Coil:	Copper
Diameter:	1"
Support Material:	Aluminum
Magnet Structure:	Ferrite
Magnet Weight:	9.4 ounces
Flux Density:	10,250 gauss
Cone:	Molded fiber
Suspension:	High-compliance foam surround
Excursion:	0.125" max. peak to peak
Frame (basket):	Stamped steel
Speaker Terminals:	0.205" (0.52 cm) spade lug type
Mounting Data —	
Baffle Opening:	4¼" (6.79 cm) diameter (front or rear mounted)
Mounting Bolt Centers:	4 equally spaced holes 90° apart on 4⅞" (11.91 cm) diameter circle
Dimensions:	5.0" (12.7 cm) diameter
Model 404-8A:	2¼" (5.72 cm) depth
Model 404-8T:	3⅝" (9.21 cm) depth
Weight —	
Model 404-8A:	1 lb. 14.5 oz. (0.87 kg)
Model 404-8T:	2 lbs. 5 oz. (1.05 kg)
Color:	Cadmium plate



MODELS 404-8A/404-8T

MODEL 404-8A

MODEL 404-8T

MOUNTING DIMENSIONS

	Model 404-8A	Model 404-8T
(A) LOUDSPEAKER DIAMETER:	5.00" (12.70 cm)	5.00" (12.70 cm)
(B) LOUDSPEAKER DEPTH:	2.25" (5.72 cm)	3.625" (9.21 cm)
(C) BAFFLE OPENING DIAMETER: (front or rear mounted)	4.25" (6.79 cm)	4.25" (6.79 cm)
(D) BOLT CIRCLE DIAMETER:	4.687" (11.91 cm)	4.687" (11.91 cm)
(E) BOLT HOLES:	0.187" (0.48 cm) diameter	0.187" (0.48 cm) diameter

ARCHITECT'S AND ENGINEER'S SPECIFICATIONS

MODEL 404-8A

The loudspeaker shall meet the following performance criteria. Power rating, 15 watts. Frequency response, uniform from 60-15,000 Hz. Pressure sensitivity, 91 dB SPL when measured at 4' on axis with 1 watt input of band-limited pink noise from 500-3000 Hz (Ref.: 0 dB = 0.0002 dyne/cm²). Impedance, 8 ohms. Nominal free-air cone resonance, 80 Hz. The voice coil shall have a diameter of 1" and shall operate in a magnetic field of 10,250 gauss derived from a ferrite magnet weighing at least 9.4 ounces. The loudspeaker shall be able to perform efficiently in a volume as low as 0.1 cubic feet. The loudspeaker shall be of solid steel construction. The speaker terminals shall be of the spade lug type. Dimensions, 5.00" diameter x 2.25" deep. Weight, 1 pound, 14.5 ounces.

The loudspeaker shall be the Altec Lansing Model 404-8A.

MODEL 404-8T

The loudspeaker shall meet the following performance criteria. Power rating, 15 watts. Frequency response, uniform from 60-15,000 Hz. Pressure sensitivity, 91 dB SPL when measured at 4' on axis with 1 watt input of band-limited pink noise from 500-3000 Hz (Ref.: 0 dB = 0.0002 dyne/cm²). Impedance, 8 ohms. Nominal free-air cone resonance, 80 Hz. The voice coil shall have a diameter of 1" and shall operate in a magnetic field of 10,250 gauss derived from a ferrite magnet weighing at least 9.4 ounces. The loudspeaker shall be able to perform efficiently in a volume as low as 0.1 cubic feet. The loudspeaker shall be of solid steel construction. The speaker terminals shall be of the spade lug type. Dimensions, 5.00" diameter x 3.625" deep. Weight, 2 pounds, 5 ounces.

A 70-volt line transformer shall be incorporated for use in distributed systems, and shall have a frequency response of ± 1 dB from 100-10,000 Hz, with an insertion loss of 1.1 dB and primary wattage taps of 4, 2, 1 and 0.5 watts.

The loudspeaker shall be the Altec Lansing Model 404-8T.



1515 SOUTH MANCHESTER AVENUE, ANAHEIM, CALIFORNIA 92803
ALTEC CORPORATION