

8" Ceiling Speakers

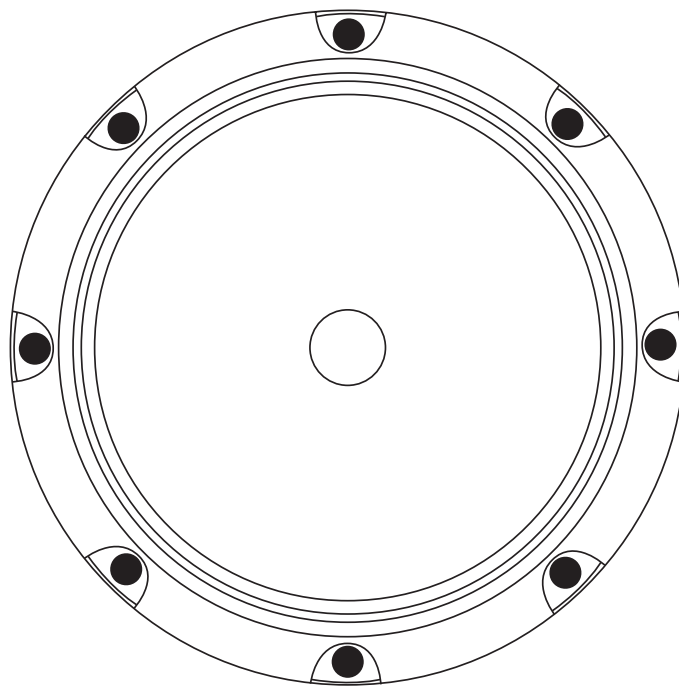
CF208-4T CF208-4T-71
 CF208-8T CF208-8T-71
 CF208-8TWG CF208-8TWG-71

FEATURES – THE ALTEC LANSING DIFFERENCE

- Superior entry level 8 inch/ 200 mm loudspeaker
- 10 W EIA / 40 W peak power handling
- Corrosion-resistant speaker frame
- Special moisture resistant cone material
- 4 W or 8 W 25 V / 70 V factory-mounted < 1 db insertion loss transformers
- International versions with factory-mounted 70 V/100 V transformer
- The "WG" version features a factory-installed corrosion-resistant white round metal grille

GENERAL PRODUCT DESCRIPTION

The Altec Lansing Professional CF208 series is the result of dedicated research into professional applications of speech intelligibility and high fidelity music reproduction. The CF208 family is an excellent choice for ceiling applications in educational facilities, office buildings, commercial facilities and shopping malls. The moisture resistant 8 inch / 200 mm speaker also has a corrosion-resistant frame for rust prevention. To aid in the dispersion of higher frequencies, the loudspeaker employs an acoustically isolated free-edge cone. The optional transformers (4 and 8 Watts) feature a low < 1.0 dB insertion loss. Our international versions feature a < 0.6 dB insertion loss 4 W and 8 W 70 V/100 V transformer. For convenience, the WG version features a factory-installed round white metal grille and 8 Watt line transformer.



SPECIFICATION

Frequency Response

82 – 17,000 Hz +/- 5dB

Low frequency limit (-10 dB)

65 Hz

Power Handling

10 W EIA, 40 W peak

Sensitivity (SPL - 1 W 1m)

98 dB

Maximum Output (Peak SPL)

114 dB

Magnet Weight

0.63 lb (0.29 kg)

Impedance

Nominal - 8 Ohms

Minimal - 8.7 Ohms

DIMENSIONS

CF208-4T/CF208-4T-71

Height: 3.31 in (73 mm)

Diameter: 8.07 in (205 mm)

CF208-8T/CF208-8T-71

Height: 3.31 in (73 mm)

Diameter: 8.07 in (205 mm)

CF208-8TWG/CF208-8TWG-71

Height: 3.39 in (88.5 mm)

Diameter: 12.87 in (327 mm)

NET WEIGHT

CF208-4T

3 lbs 8 oz (1.6 kg)

CF208-8T

3 lbs 8 oz (1.6 kg)

CF208-8TWG

4 lbs 12 oz (2.2 kg)

CF208-4T-71

3 lbs 12 oz (1.7 kg)

CF208-8T-71

3 lbs 12 oz (1.7 kg)

CF208-8TWG-71

5 lbs (2.3 kg)

SHIPPING WEIGHT

CF208-4T

3 lbs 15 oz (1.8 kg)

CF208-8T

4 lbs 3 oz (1.9 kg)

CF208-8TWG

5 lbs 15 oz (2.7 kg)

CF208-4T-71

4 lbs 5 oz (2.0 kg)

CF208-8T-71

4 lbs 5 oz (2.0 kg)

CF208-8TWG-71

6 lbs 5 oz (2.9 kg)

TRANSFORMER

CF208-4T

4 Watt 25 V/70 V each with taps @ 4 W, 2 W, 1 W and 0.5 W

CF208-8T

8 Watt 25 V/70 V each with taps @ 8 W, 4 W, 2 W and 1.0 W

CF208-8TWG

8 Watt 25 V/70 V each with taps @ 8 W, 4 W, 2 W and 1.0 W

CF208-4T-71

4 Watt 70 V/100 V with taps @ Z 4 W, 2 W, 1 W AND 0.5 W

CF208-8T-71/CF208-8TWG-71

8 Watt 70 V/100 V with taps @ 8 W, 4 W, 2 W and 1 W

ARCHITECTS & ENGINEERS SPECIFICATION

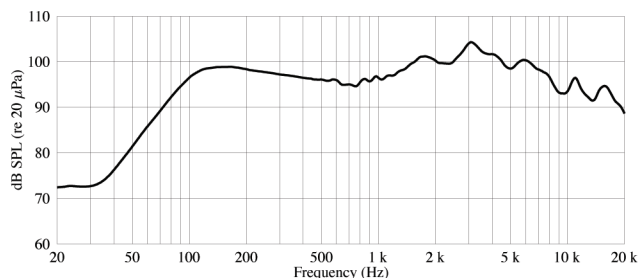
The loudspeaker shall be an Altec Lansing Professional CF208 series with an 8 inch (200 mm) full-range speaker, acoustically isolated free-edge high frequency cone and corrosion-resistant speaker frame. The speaker shall have a power rating of 10 W EIA / 40 W peak. The frequency response shall be 82 to 17,000 Hz +/- 5 dB with a sensitivity of 98 dB @ 1 W 1 m. All transformers shall have a low < 1.0 dB insertion loss and 25 V / 70 V taps. The model numbers shall be Altec Lansing Professional CF208-4T/CF208-4T-71 with a 4 Watt 25 V/70 V transformer, a CF208-8T/CF208-8T-71 with an 8 Watt 25 V/70 V transformer, and a CF208-8TWG/CF208-8TWG-71 with a 8 Watt 25 V/70 V transformer and factory assembled corrosion-resistant round white metal grille.

ENCLOSURES AND BAFFLES

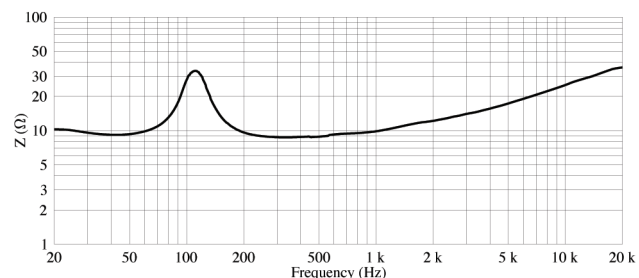
The CF208-series ceiling speakers will fit on standard 8 inch (200 mm) baffles, enclosures and back boxes.

All measurements were made in a standard AES baffle for a 12 inch driver. The driver was housed in a 1.0 ft³ (0.028 m³) enclosure.

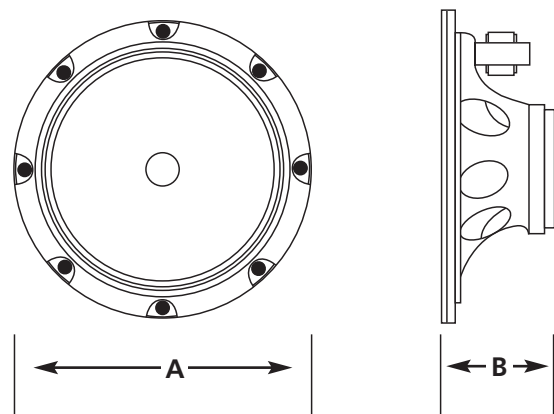
Frequency Response (1 W 1 m on-axis)



Impedance



MOUNTING DIMENSIONS



	A	B
CF208-4T/ CF208-4T-71	8.07 in (205 mm)	3.31 in (84 mm)
CF208-8T/ CF208-8T-71	8.07 in (205 mm)	3.31 in (84 mm)
CF208-8TWG/ CF208-8TWG-71	12.87 in (327 mm)	3.39 in (86 mm)

Please note that larger volume enclosures will result in altered low frequency performance.

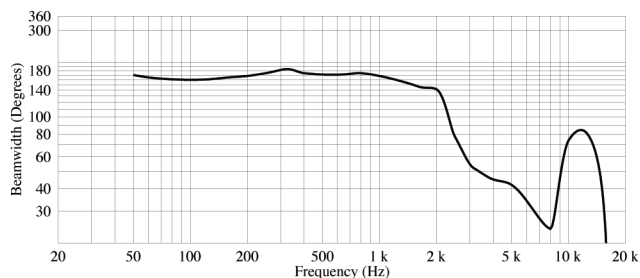
SAFETY CONSIDERATION

1. Appropriate connectors with suitable ratings must be used to make all installation connections.
2. All unused taps must be insulated with suitable insulation.
3. Transformers and speaker combinations must be supplied by a suitable amplifier incorporating ungrounded outputs only and reinforced insulation (as per IEC60065) from output to mains.

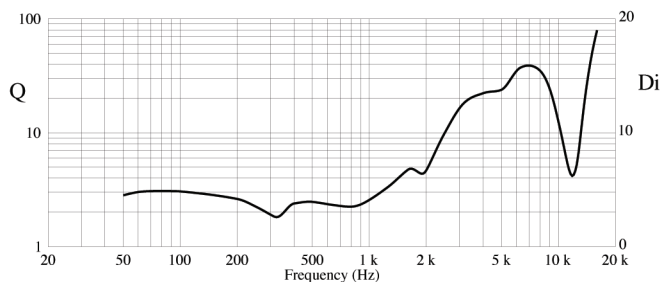
ACCESSORIES

Altec Lansing recommends use of our 8 inch (200 mm) round and square metal enclosures, grilles and tile bridge. The CD208 Series will also fit on standard industry ceiling speaker hardware.

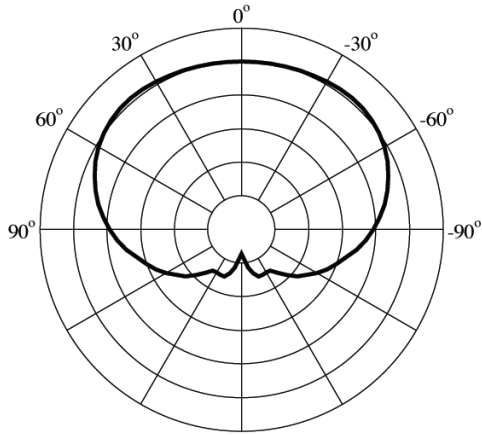
Beamwidth



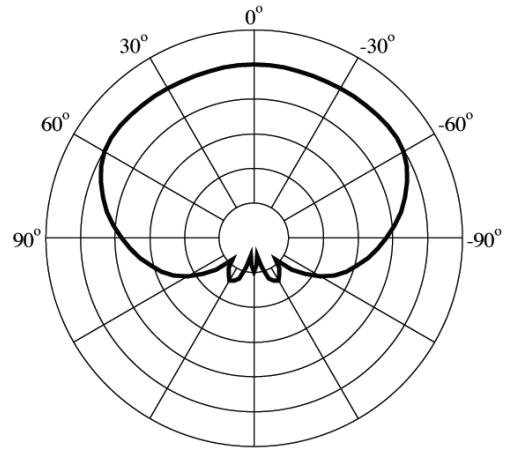
Q & Directivity Index



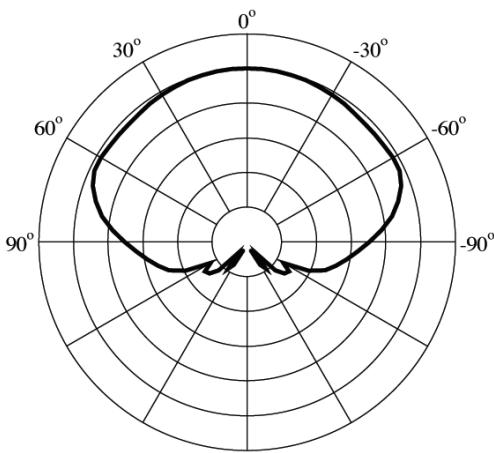
**One Octave Polar Response Charts
6 dB/Division**



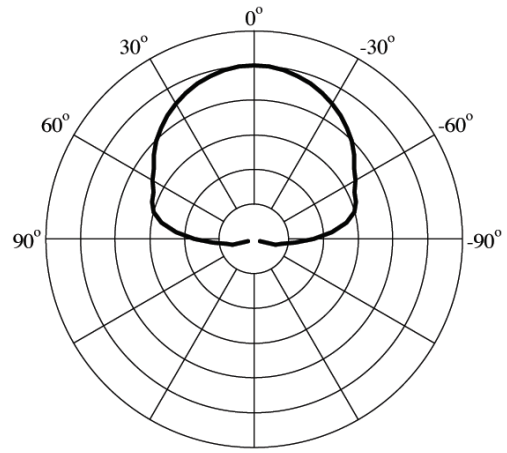
250 Hz



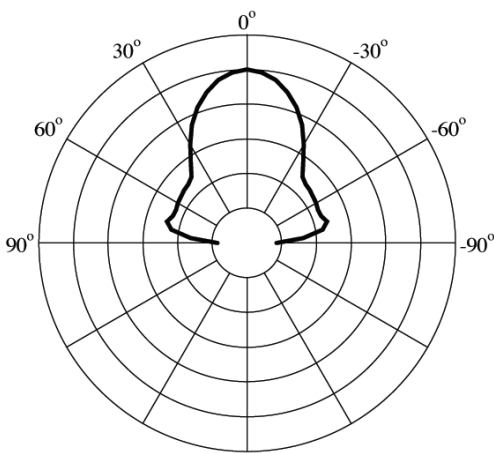
500 Hz



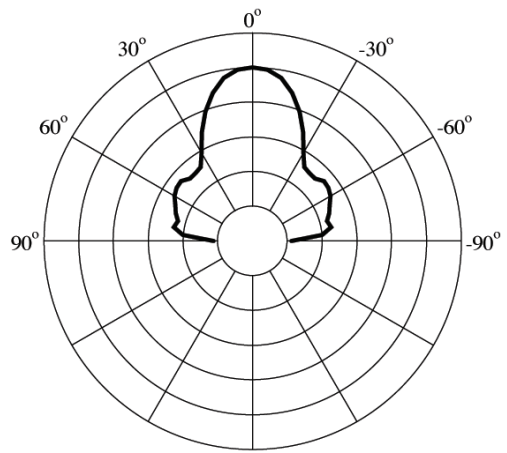
1 kHz



2 kHz



4 kHz



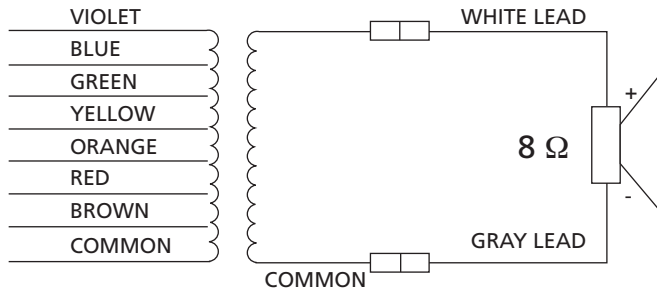
8 kHz

As we are continually striving to improve Altec Lansing products, specifications are subject to change without notice.

TRANSFORMER CHART
CF208

Utility 4 W Transformer (T404-27) Primary Taps	Utility 8 W Transformer (T408-27) Primary Taps	25 V Primary Tap Color Code	70 V Primary Tap Color Code	100 V Primary Tap Color Code
4.0 W	8.0 W	Brown	Yellow	Green
2.0 W	4.0 W	Red	Green	Blue
1.0 W	2.0 W	Orange	Blue	Violet
0.5 W	1.0 W	Yellow	Violet	N/A
Primary Common			Black	

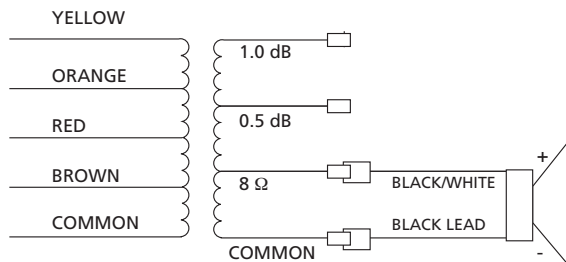
WIRING DIAGRAM (CF208-4T/CF208-8T/CF-208-8TWG)



TRANSFORMER CHART
CF208-71

Premium 8 W(T508-71) / 4 W (T504-71) Primary Tap Color Code	70 V Primary Tap 4 W(T504-71)	70 V Primary Tap 8 W(T508-71)	100 V Primary Tap 4 W(T504-71)	100 V Primary Tap 8 W(T508-71)
Black	Common	Common	Common	Common
Brown	4.0 W	8.0 W	N/A	N/A
Red	2.0 W	4.0 W	4.0 W	8.0 W
Orange	1.0 W	2.0 W	2.0 W	4.0 W
Yellow	0.5 W	1.0 W	1.0 W	2.0 W

WIRING DIAGRAM (CF208-4T-71/CF208-8T-71/CF-208-8TWG-71)



**ALTEC
LANSING**

PROFESSIONAL

© 2002 Altec Lansing Professional
1000 W. Wilshire Blvd., Suite 362
Oklahoma City, Oklahoma 73116

Phone: 1-405-848-3108 • Fax: 1-405-848-3217

Web: www.altecp.com • Email: proinfo@alteclansing.com