

SPECIFICATIONS

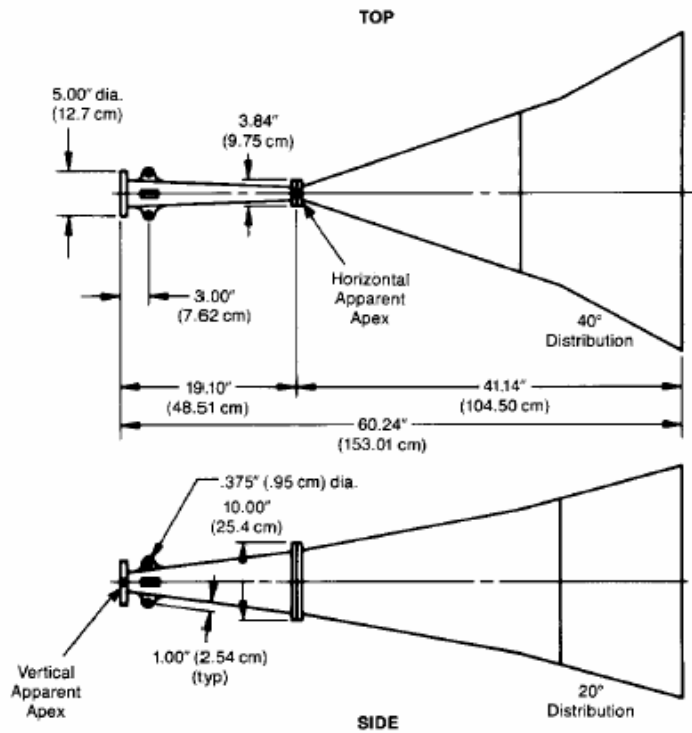
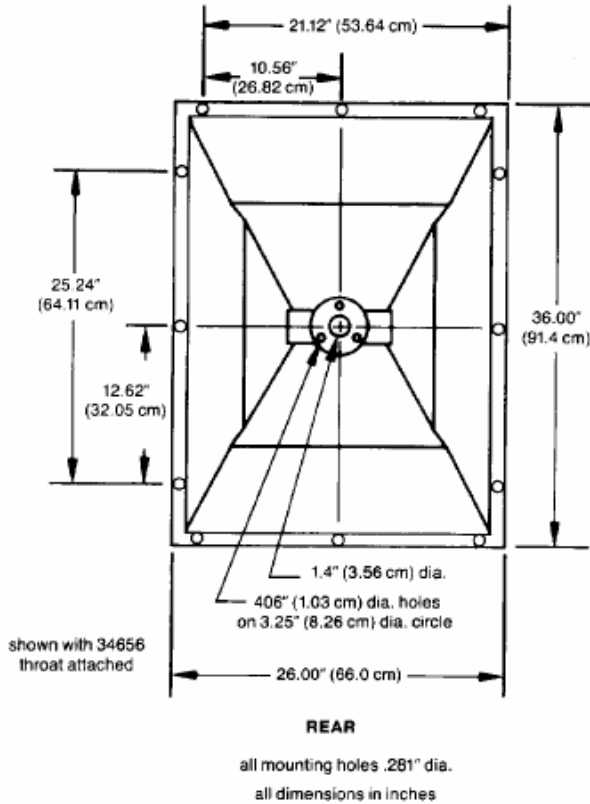
Horizontal Dispersion Angle: 40° (+5°, -9°)
from 800 Hz to 16 kHz

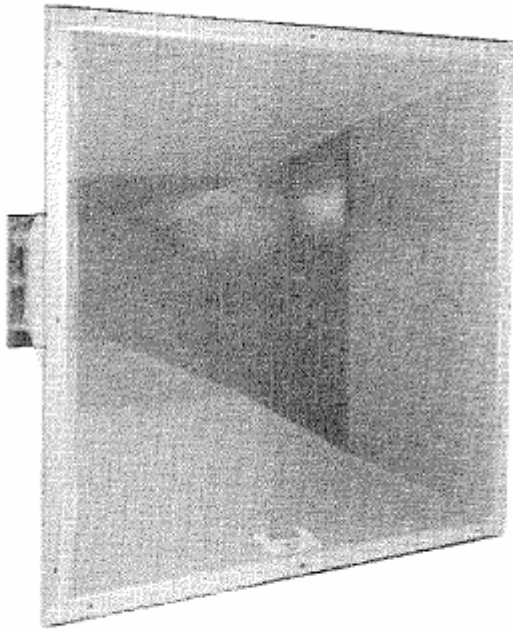
Vertical Dispersion Angle: 20° (+14°, -3°)
from 800 Hz to 16 kHz
20° (±3°)
from 1200 Hz to 16 kHz

Recommended Crossover Frequency for Optimum Directivity Control: 800 Hz

Useable Low-Frequency Limit: 500 Hz 288-L, 291-L, 299-A, 906-A
300 Hz 290-L

Throat: Model 34652 Throat for single 1.4 inch throat driver
Model 34652Y Throat for dual 1.4 inch throat drivers





**MR64B
HORN**

SPECIFICATIONS

**Horizontal Dispersion
Angle:**

60° (+6°, -10°)
from 800 Hz to 16 kHz

**Vertical Dispersion
Angle:**

40° (+7°, -1°)
from 800 Hz to 16 kHz

**Recommended
Crossover Frequency
for Optimum
Directivity Control:**

800 Hz

**Usable Low-Frequency
Limit:**

500 Hz 288-L, 291-L,
299-A, 906-A
500 Hz 290-L

Construction:

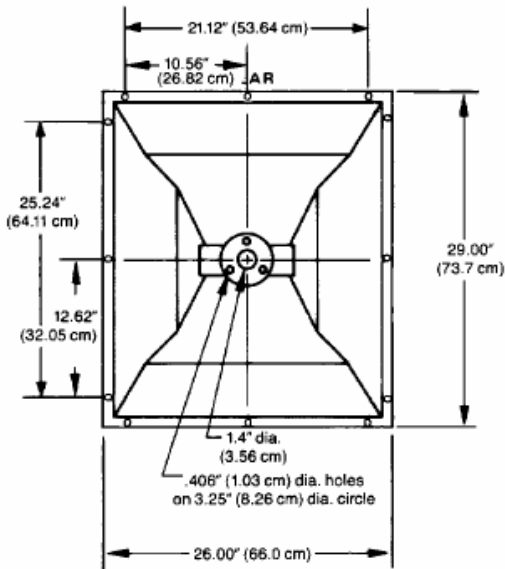
Weather resistant
polyester/fiberglass

Dimensions:

26" H × 30" W × 22" D
without throat, 28 1/4" D with
34654 throat

Throat:

Model 34654 Throat for
single 1.4 inch throat driver

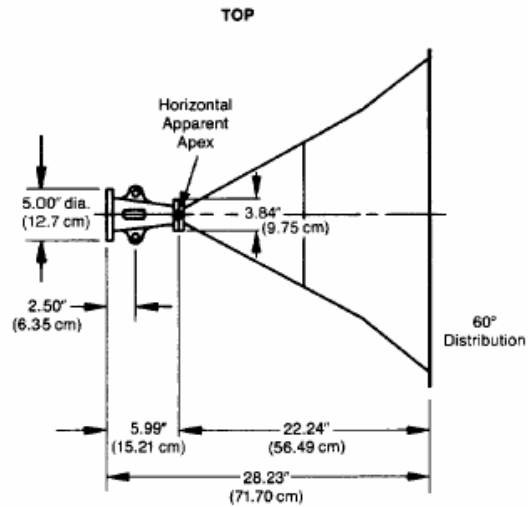


shown with 34654
throat attached

REAR

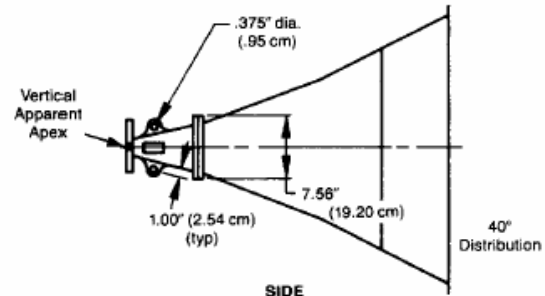
all mounting holes .281" dia.

all dimensions in inches



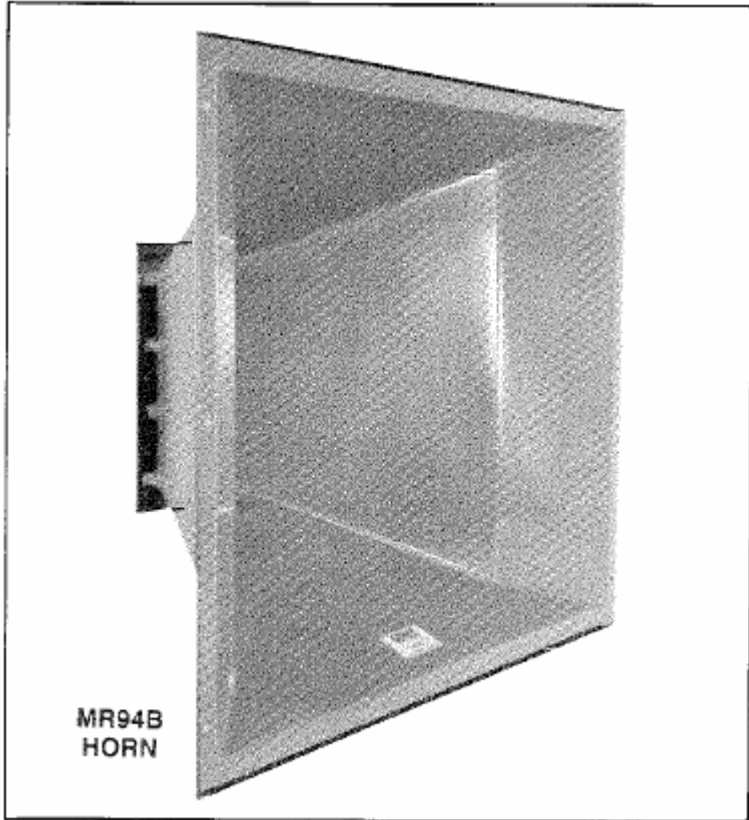
TOP

60°
Distribution



SIDE

40°
Distribution



SPECIFICATIONS

Horizontal Dispersion Angle: 90° (+9°, -10°)
from 800 Hz to 16 kHz

Vertical Dispersion Angle: 40° (+11°, -5°)
from 800 Hz to 16 kHz

Polar Pattern: See Figure No. 6

Recommended Crossover Frequency for Optimum Directivity Control: 800 Hz

Usable Low-Frequency Limit: 500 Hz 288-L, 291-L, 299-A, 906-A
300 Hz 290-L

Construction: Weather resistant polyester/fiberglass

Dimensions: 26" H x 36" W x 15" D
without throat, 28 1/4" D with 34656 throat

Throat: Model 34656 Throat for single 1.4 inch throat driver
Model 34656Y Throat for dual 1.4 inch throat drivers

