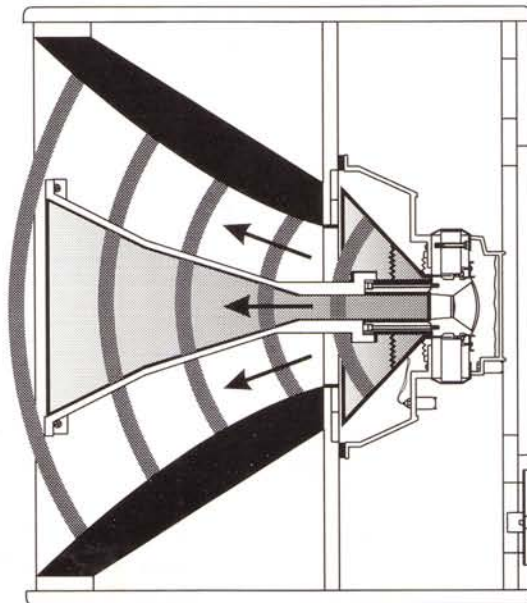


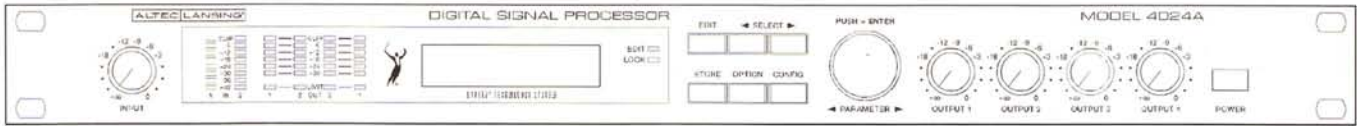
# Altec Lansing Duplex® Technology Loudspeaker Matrix

April 1, 1994



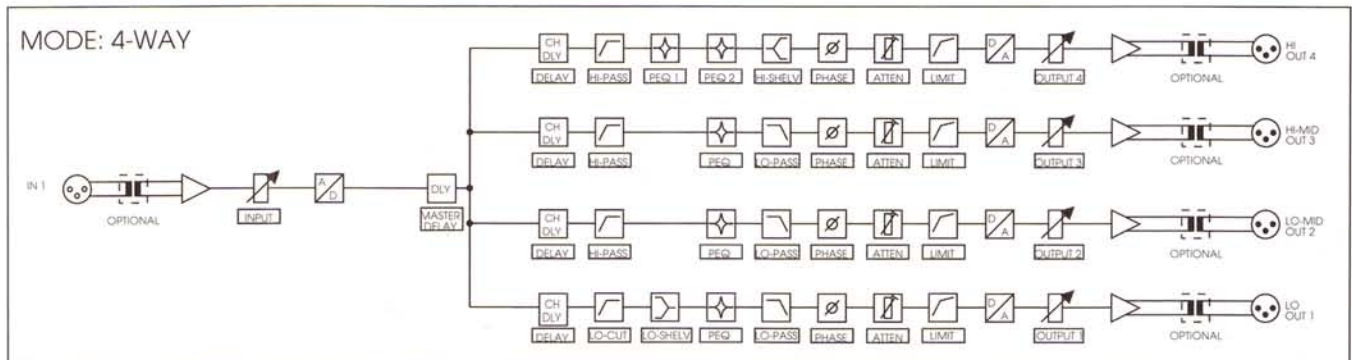
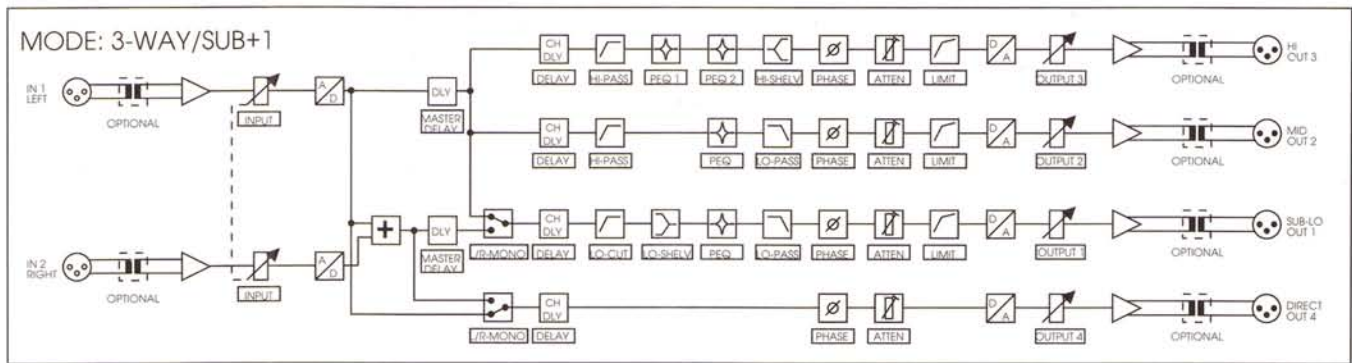
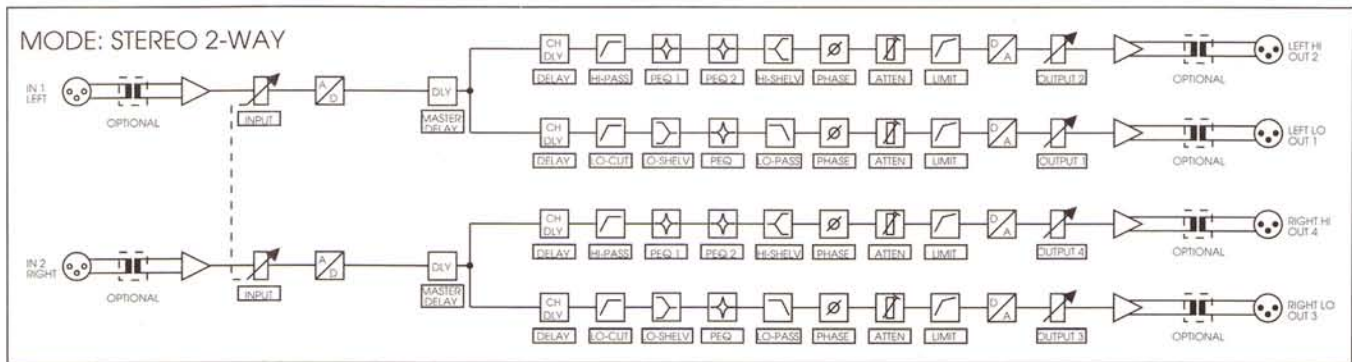
| Model   | Components  | Frequency Response                                  | Sensitivity                          |                                       |                         |
|---|---|---|--------------------------------------|---------------------------------------|-------------------------|
|   |   |   | High Frequency                       | Low Frequency                         | High Fr                 |
| <i>Sound Contractor Series - Rectangular, Beige Vinyl-Wrapped Cabinets</i>                    |   |   |                                      |                                       |                         |
| 9864A   | HF: 60° by 40°<br>1.4" Driver<br>LF: 15" Bass Horn<br>Speaker | Full-Range<br>50 Hz to 18 kHz<br>equalized          | 109 db, 1 w/1 m<br>131 dB, 150 w/1 m | 104 dB, 1 w/1 m<br>130 dB, 400 w/1 m  | 75 wa<br>150 watts, con |
| 9894A   | HF: 90° by 40°<br>1.4" Driver<br>LF: 15" Bass Horn<br>Speaker | Full-Range<br>50 Hz to 18 kHz<br>equalized          | 109 db, 1 w/1 m<br>131 dB, 150 w/1 m | 104 dB, 1 w/1 m<br>130 dB, 400 w/1 m  | 75 wa<br>150 watts, con |
| 9264A   | HF: 60° by 40°<br>1.4" Driver<br>LF: 12" Bass Horn<br>Speaker | Mid/High<br>90 Hz to 18 kHz<br>equalized            | 109 db, 1 w/1 m<br>131 dB, 150 w/1 m | 104 dB, 1 w/1 m<br>130 dB, 400 w/1 m  | 75 wa<br>150 watts, con |
| 9294A   | HF: 90° by 40°<br>1.4" Driver<br>LF: 12" Bass Horn<br>Speaker | Mid/High<br>90 Hz to 18 kHz<br>equalized            | 109 db, 1 w/1 m<br>131 dB, 150 w/1 m | 104 dB, 1 w/1 m<br>130 dB, 400 w/1 m  | 75 wa<br>150 watts, con |
| <i>Duplex (tm) Technology Series - Trapezoidal, Black Spatter-Painted, Arrayable Cabinets</i> |   |   |                                      |                                       |                         |
| DTS645A-F   | HF: 60° by 40°<br>1.4" Driver<br>LF: 15" Bass Horn<br>Speaker | Full-Range<br>50 Hz to 18 kHz<br>equalized          | 109 db, 1 w/1 m<br>131 dB, 150 w/1 m | 104 dB, 1 w/1 m<br>130 dB, 400 w/1 m  | 75 wa<br>150 watts, con |
| DTS945A-F   | HF: 90° by 40°<br>1.4" Driver<br>LF: 15" Bass Horn<br>Speaker | Full-Range<br>50 Hz to 18 kHz<br>equalized          | 109 db, 1 w/1 m<br>131 dB, 150 w/1 m | 104 dB, 1 w/1 m<br>130 dB, 400 w/1 m  | 75 wa<br>150 watts, con |
| DTS642A-F   | HF: 60° by 40°<br>1.4" Driver<br>LF: 12" Bass Horn<br>Speaker | Mid/High<br>90 Hz to 18 kHz<br>equalized            | 109 db, 1 w/1 m<br>131 dB, 150 w/1 m | 104 dB, 1 w/1 m<br>130 dB, 400 w/1 m  | 75 wa<br>150 watts, con |
| DTS942A-F   | HF: 90° by 40°<br>1.4" Driver<br>LF: 12" Bass Horn<br>Speaker | Mid/High<br>90 Hz to 18 kHz<br>equalized            | 109 db, 1 w/1 m<br>131 dB, 150 w/1 m | 104 dB, 1 w/1 m<br>130 dB, 400 w/1 m  | 75 wa<br>150 watts, con |
| DTS152A-F   | LF: 2 x 15"<br>Direct Radiator<br>Speakers                    | Extended Low Frequency<br>38 Hz to 500 Hz<br>usable | N/A                                  | 100 dB, 1 w/1 m<br>130 dB, 1000 w/1 m | N                       |
| <i>Duplex (tm) Technology Series - Rectangular, Black Spatter-Painted, Stackable Cabinet</i>  |   |   |                                      |                                       |                         |
| DTS182A   | LF: 2 x 18"<br>Direct Radiator<br>Speakers                    | Subwoofer<br>31 Hz to 200 Hz<br>usable              | N/A                                  | 98 dB, 1 w/1 m<br>129 dB, 1200 w/1 m  | N                       |

| Power Handling            |  | Recommended Crossover | Suspension Kit   | Price                |        |            |
|---------------------------|--|-----------------------|--|----------------------|--------|------------|
| Frequency                 | Low Frequency                                    |                       |  |                      |        |            |
| AES<br>Continuous program | 200 watts, AES<br>400 watts, continuous program  | 1 kHz                 | Model 816VI-SK<br>@ \$30.00 each                             | List                 |        | \$2,090.00 |
|                           |  |                       |  | Industrial Net       |        | \$1,567.50 |
|                           |  |                       |  | YOUR PRICE           | 1 to 3 | \$1,045.00 |
|                           |  |                       |  |                      | 4+     | \$995.00   |
| AES<br>Continuous program | 200 watts, AES<br>400 watts, continuous program  | 1 kHz                 | Model 816VI-SK<br>@ \$30.00 each                             | List                 |        | \$2,090.00 |
|                           |  |                       |  | Industrial Net       |        | \$1,567.50 |
|                           |  |                       |  | YOUR PRICE           | 1 to 3 | \$1,045.00 |
|                           |  |                       |  |                      | 4+     | \$995.00   |
| AES<br>Continuous program | 200 watts, AES<br>400 watts, continuous program  | 1.2 kHz               | Model 9200-SK<br>@ \$30.00 each                              | List                 |        | \$1,790.00 |
|                           |  |                       |  | Industrial Net       |        | \$1,342.50 |
|                           |  |                       |  | YOUR PRICE           | 1 to 3 | \$895.00   |
|                           |  |                       |  |                      | 4+     | \$845.00   |
| AES<br>Continuous program | 200 watts, AES<br>400 watts, continuous program  | 1.2 kHz               | Model 9200-SK<br>@ \$30.00 each                              | List                 |        | \$1,790.00 |
|                           |  |                       |  | Industrial Net       |        | \$1,342.50 |
|                           |  |                       |  | YOUR PRICE           | 1 to 3 | \$895.00   |
|                           |  |                       |  |                      | 4+     | \$845.00   |
| AES<br>Continuous program | 200 watts, AES<br>400 watts, continuous program  | 1 kHz                 | L-Track Hardware<br>Top & Bottom                             | List                 |        | \$3,750.00 |
|                           |  |                       |  | Industrial Net       |        | \$2,812.50 |
|                           |  |                       |  | YOUR PRICE           | 1 to 3 | \$1,875.00 |
|                           |  |                       |  |                      | 4+     | \$1,775.00 |
| AES<br>Continuous program | 200 watts, AES<br>400 watts, continuous program  | 1 kHz                 | L-Track Hardware<br>Top & Bottom                             | List                 |        | \$3,750.00 |
|                           |  |                       |  | Industrial Net       |        | \$2,812.50 |
|                           |  |                       |  | YOUR PRICE           | 1 to 3 | \$1,875.00 |
|                           |  |                       |  |                      | 4+     | \$1,775.00 |
| AES<br>Continuous program | 200 watts, AES<br>400 watts, continuous program  | 1.2 kHz               | L-Track Hardware<br>Top & Bottom                             | Coming in June, 1994 |        |            |
|                           |  |                       |  | Coming in June, 1994 |        |            |
| AES<br>Continuous program | 200 watts, AES<br>400 watts, continuous program  | 1.2 kHz               | L-Track Hardware<br>Top & Bottom                             | Coming in June, 1994 |        |            |
|                           |  |                       |  | Coming in June, 1994 |        |            |
|                           | 500 watts, AES<br>1000 watts, continuous program | 125 Hz                | L-Track Hardware<br>Top & Bottom                             | List                 |        | \$3,150.00 |
|                           |  |                       |  | Industrial Net       |        | \$2,362.50 |
|                           |  |                       |  | YOUR PRICE           | 1 to 3 | \$1,575.00 |
|                           |  |                       |  |                      | 4+     | \$1,475.00 |
|                           | 600 watts, AES<br>1200 watts, continuous program | 125 Hz                | No Suspension System<br>For Right/Left Stack<br>Applications | List                 |        | \$2,850.00 |
|                           |  |                       |  | Industrial Net       |        | \$2,137.50 |
|                           |  |                       |  | YOUR PRICE           | 1 to 3 | \$1,425.00 |
|                           |  |                       |  |                      | 4+     | \$1,325.00 |



## KEY SYSTEM FEATURES

- DSP Controlled; 18/24 Bit
- Three Configurations: STEREO 2-WAY, 3-WAY/SUB+1, 4-WAY
- Factory Presets for Various Combinations of Altec Lansing Duplex® Loudspeaker Systems
- Independent Limiters, Parametric EQs, Shelving EQs, Alignment Delays, Phase Controls, and Level Adjusts are Available to Tailor Any Factory Preset
- 2 In / 4 Out
- Master Delay
- Mono Subwoofer Capability
- Electronically Balanced XLR Inputs and Outputs with Transformer Option
- Remote Memory Select by Contact-Closure
- 2 x 16 Character LCD Display
- Level Indicators for Each Input and Output
- Universal Input Switching Power Supply



List Price: \$2,190.00  
 Industrial Net: \$1,642.50  
**YOUR PRICE: \$1,095.00**